

## PRODUCT DATA SHEET

### Logico soffitto 3x120°



#### DESIGN BY :

Gerhard Reichert , Michele De Lucchi  
2006

#### MATERIALS :

Painted metal, blown glass

#### DESCRIPTION :

Ceiling lamp composed by 3 elements. Painted metal structure, blown glass diffuser with polished-silk finish.

Its modular shape lends itself to the creation and realisation of customized compositions, supplied as special project.

#### Light emission

● Diffused And Direct

IP 20      

### TECHNICAL DATA SHEET

#### FEATURES

|                |  |
|----------------|--|
| Product name:  | Logico soffitto 3x120°                               |
| Article Code:  | <b>0458020A</b>                                      |
| Colour:        | White  |
| Material:      | Painted metal, blown glass                           |
| Series:        | Design   |
| Environment:   | Indoor   |
| Area contract: | Hospitality Hotel, Hospitality<br>Restaurant, Office |

#### OPTICS

Emission: Diffused And Direct

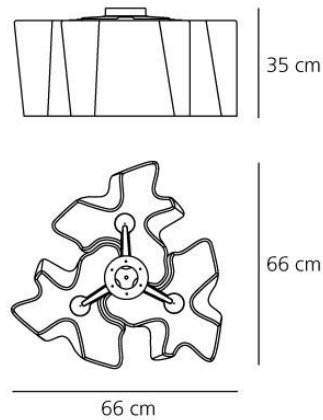
#### DIMENSIONS

|               |         |
|---------------|---------|
| Length:       | (cm) 66 |
| Width:        | (cm) 66 |
| Height:       | (cm) 35 |
| Cutout shape: |         |

#### LAMPS NOT INCLUDED

|                         |            |
|-------------------------|------------|
| Category:               | HALO       |
| Number:                 | 3          |
| Lbs:                    | Qa60       |
| Watt:                   | 105        |
| Socket:                 | E27        |
| Type:                   | Hsgsa/c/ub |
| Colour Rendering:       | 1a         |
| Colour temperature (K): | 2900       |
| Duration (h):           | 2000       |

#### DIMENSIONS



#### LAMP

IP 20      

#### ELECTRICAL

Voltage: 220V-240V